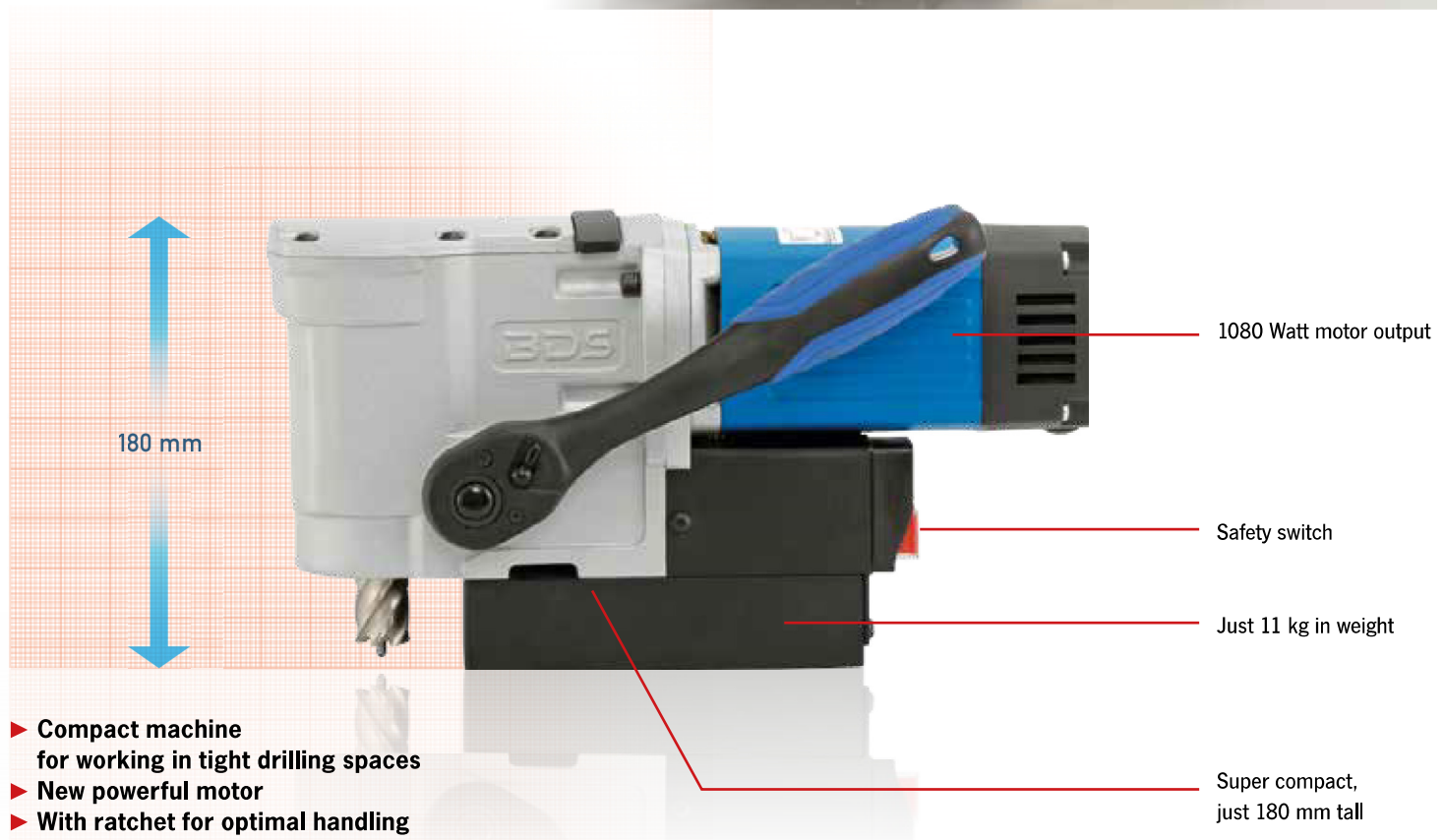


MAB 155

Horizontal magnetic core drilling machine with angular gear, ideal for extremely tight drilling spaces.

THE COMPACT MACHINE

WITH GIGANTIC POWER



- ▶ Compact machine for working in tight drilling spaces
- ▶ New powerful motor
- ▶ With ratchet for optimal handling

| MAB 155 | |
|-------------------|--|
| Motor output | 1050 Watt |
| Voltage | 230 V / 50-60 Hz or 110-125 / 50-60 Hz |
| Stroke | 39 mm |
| Magnet dimensions | 80 × 160 × 36.5 mm |
| Weight | 11 kg |
| Direct arbor | 19 mm Weldon (3/4") |
| Gear 1 range | 320 rpm |
| Order No. | MAB 155 230 V |
| Order No. | MAB 155 110/125 V |

| Included in delivery | |
|--|--|
| MAB 155 magnetic core drilling machine | |
| Ejector pin ZAK 075 | |
| Allen key SW 4 | |
| Hard-top case | |
| Safety lashing strap | |
| Operating instructions | |
| Reversible ratchet | |

| Feed | Manual |
|------------|--------------------|
| Core drill | Ø 35 mm L 30 mm |

