



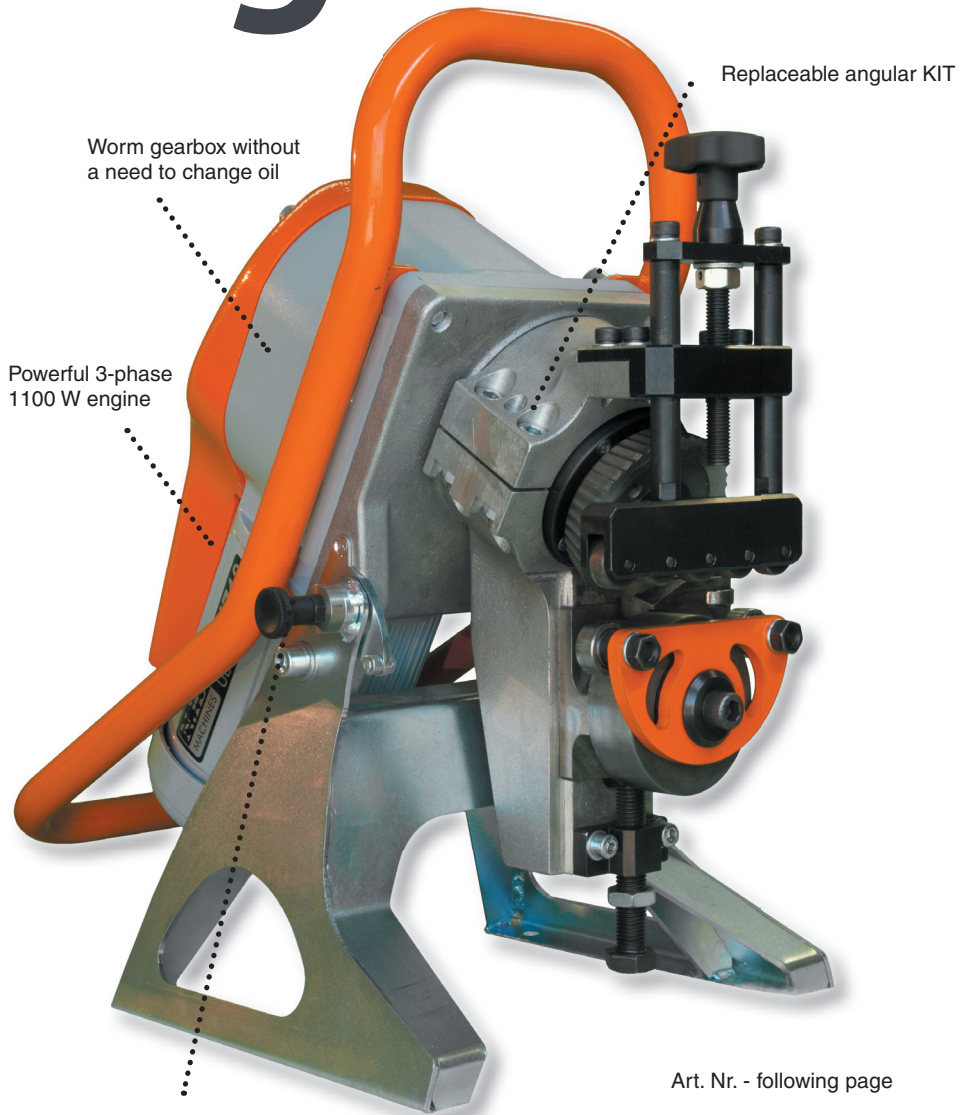
# UZ 12 Ultralight



**Incredibly  
quiet operation**



**3 BEVELERS  
IN ONE**



Art. Nr. - following page

Machine tilting locking





The UZ12 ULTRALIGHT is one of the lightest bevelling machines with the automatic feed in the market. Due to its compact size and low weight it is perfect both for workshops but also for assemblies. The machine is equipped with the automatic feed. Working with UZ12 ULTRALIGHT is therefore very comfortable. The quietest bevelling system in the market.

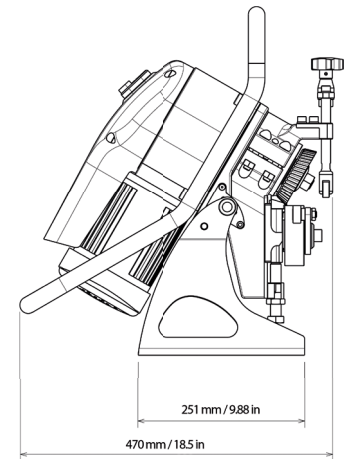
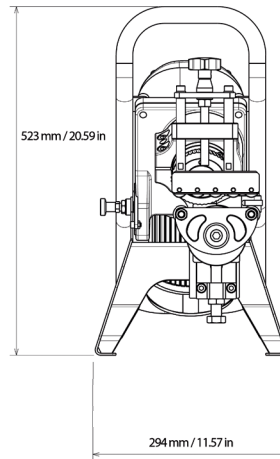
- For conventional steel (up to strength of 600 MPA / 87 022 PSI), stainless steel, brass, copper and aluminium materials.
- For bevelling material with minimum dimensions - width 65 mm / 2.56 in, length 60 mm / 2.36 in, thickness 3 mm / 0.12in.
- Thickness of bevelled material 3 - 35 mm / 0.12 - 1.37 in.
- Bevelling pipes from the internal Ø 95 mm / 3.74 in.
- The bevel angle can be changed using replaceable clamps (KIT for a given angle).
- The device is capable of performing double-sided bevel (X, K) without the need for material handling.
- Supersilent drive. The machine is not nearly heard.
- The machine is equipped with an automatic feed.
- Possibility of stationary and mobile use.
- The machine works on large workpieces without support at a speed of 1.8 m/min / 5.9 ft/min.
- Smaller parts of the material are inserted directly into the machine.
- Lightweight and compact design. One-man machine.
- Thermal protection of the motor

**Technical data:**

Max. bevel width: 12 mm / 0.47 in  
 Bevel angle: 30°, 45°, 22.5°, 37.5°, 50° (replaceable KIT)  
 Thickness of bevel. material: 3 - 35 mm / 0.12 - 1.37 in  
 Engine: 400 W  
 Feed: 1,8 m/min. / 5.9 ft/min.  
 Weight: 30 kg / 66 lb  
 Dimensions: 470 x 294 x 523 mm / 18.5 x 11.57 x 20.59 in

**Included in price:**

Bevelling system UZ 12 ULTRALIGHT  
 Tools for operators  
 Instruction manual:



**Machine name:**

	Art. Nr. - 400V 3 phase	Art. Nr. - 480V 3 phase	Art. Nr. - 220V 3 phase
Bevelling system UZ 12 ULTRALIGHT - set (KIT 30°)	1920	1820	1914
Bevelling system UZ 12 ULTRALIGHT - set (KIT 45°)	1921	1821	1915
Bevelling system UZ 12 ULTRALIGHT - set (KIT 30° + 45°)	1922	1819	1913
Bevelling system UZ 12 ULTRALIGHT - set (KIT 22,5° + 30° + 37,5° + 45° + 50° + pipe bevelling tool)	1918	1818	1912

**Accessories:**

	Art. Nr.
ECO cutting tool - suitable for conventional steel	1927
ECO cutting tool - suitable for conventional steel - 2 + 1 free set	1928
PVD cutting tool - suitable for tougher materials	1916
PVD cutting tool - suitable for tougher materials - 2 + 1 free set	1935
Separate KIT 22.5°	1926
Separate KIT 30°	1923
Separate KIT 37.5°	1925
Separate KIT 45°	1924
Separate KIT 50°	1929
Pipe and tube bevelling fixture from Ø 95 mm / 3.74 in (internal diameter)	1919
3D Manipulator - allows you to rotate the machine by 180° thus creating a two-sided bevel and facilitates the machine transport at the workplace.	1930
Adapter for connecting UZ 12 Ultralight with the 3D Manipulator	1911



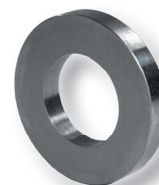
Art. Nr.1928



Art. Nr. 1927



Art. Nr. 1930



Art. Nr.1919



Art. Nr. 1923

