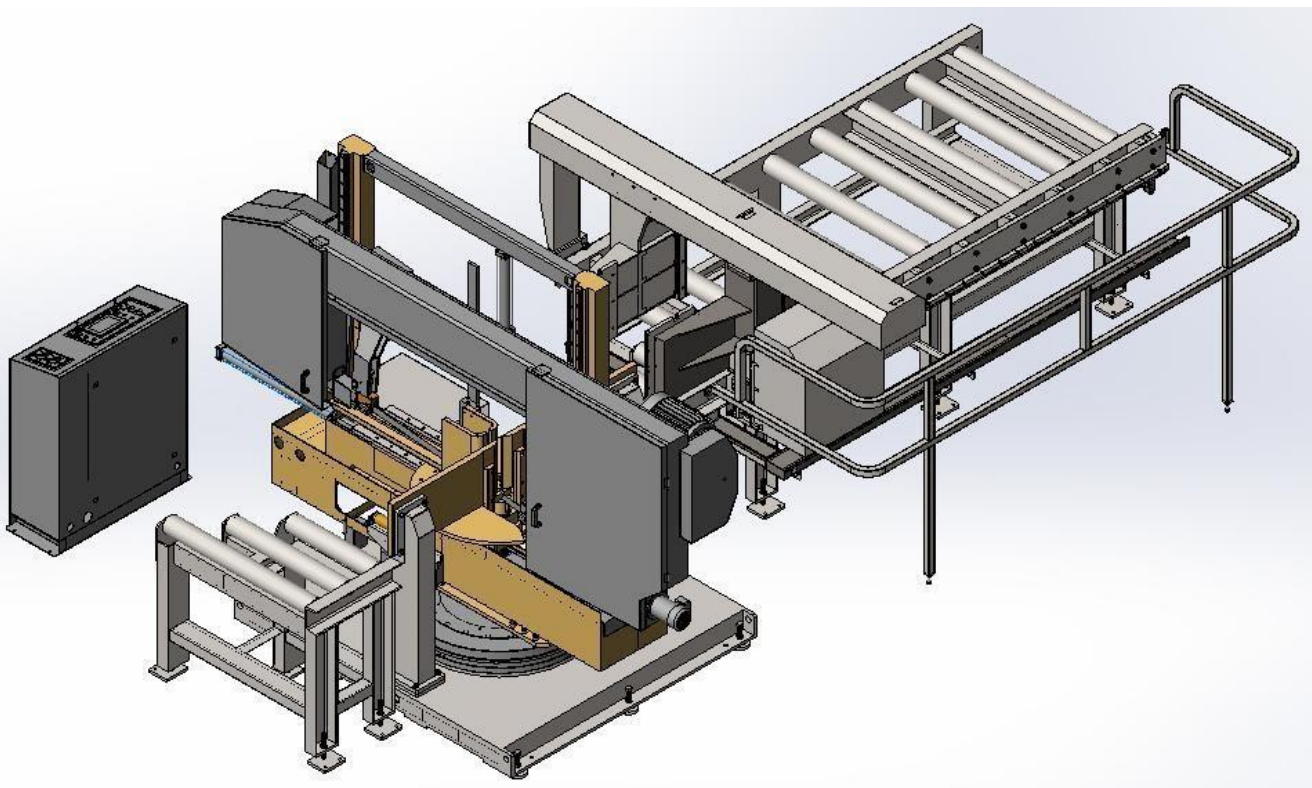


PARKANSON BANDSAWS

***Column Type CNC
Double Mitre Cutting
Bandsaws***

**Fully automatic twin column CNC feeding and mitring
bandsaws for cutting beams, pipes and solids.**

Model: 650DMA/ 800DMA / 1000DMA/ 1300DMA



Features:

1. For cutting variable angle from 60° left to 45° right.
2. Twin columns with linear guide ways for cutting more stable and accuracy.
3. Inclination of the saw blade (5°) to reduce the initial blade impact when cutting beams and square tubes.
4. The NC control allows setting and memorizing 250 cutting programs, with different cutting lengths; quantities and angles.
5. The material feeder with Steel guides; precision rack and pinion, powered by a servo motor with 2300mm feed stroke.
6. Automatic positioning of guide arm.
7. Mist coolant system with minimal lubrication to cut long pipe and profile without any leakage of coolant. (Option)

Standard equipment

1. Variable blade speed drive
2. Hydraulic blade tension.
3. Laser liner
4. Working light.

Optional equipment

1. 3M feeder extension unit
2. Mist lubrication
3. 3M Roller table
4. 3M Powered roller table

Specifications:

Model		650DMA	800DMA	1000DMA	1300DMA				
Cutting Capacity (mm) (H x W)	●	450	600	650	760				
	■	440 x 650	550 x 800	650 x 1000	700 x 1300				
	■ R/L 45°	440 x 420	400 x 520	450 x 650	650 x 850				
	■ L 60°	340 x 270	400 x 340	450 x 420	650 x 550				
	■ R 60°	340 x 440	--	--	650 x 550				
Motors	Saw Blade	3.75 KW	5.5 KW	7.5 KW	10.0 KW				
	Hydraulic	0.75 KW	1.5 KW	2.2 KW	2.2 KW				
	Coolant	0.1 KW	0.2 KW	0.2 KW	0.2 KW				
Blade Size (mm)		5400 x 41 x 1.3	6740 x 41 x 1.3	7750x54x1.6	9300x67x1.6				
Blade Speed (M/min)		20-90							
Blade inclination		5°							
Single Feed Stroke		2300, 5300(option), 8300(option) mm							
Vise Clamping Width		10-670mm	80-820 mm	200-1020 mm	150-1340mm				
Working height (mm)		730	800		850				
Packing Dimensions (mm)		Saw	Feeder	Saw	Feeder	Saw	Feeder	Saw	Feeder
	Length	1550	3100	2000	3100	2100	3100	2300	3100
	Width	2900	2000	3500	2100	3800	2100	4350	2300
Height		2200	1500	2560	1800	2600	1800	2600	1900
Net Weight (App.) Kg		3000	1900	5200	2500	5600	2500	7400	2700

* The specifications subject to change without notice



Capital Equipment Machinery Sales
 1/10 Renewable Chase
 Bibra Lake WA 6163
 Ph: (08) 9410 9500 Fax: (08) 9410 9555
www.capitalequipment.biz