

**PUNCHING**

# Portable Double-Acting Hydraulic Puncher

# SELFER ACE



## Features

### ■ New Design Adopted for Punching Stainless Steel

Anti-vibration construction adopted in puncher head makes punching of stainless steel possible.

### ■ Auto-return

Like previous models, punching, returning and reset operations are fully automatic. Just press Start/Descend Button, and it completes punching, returns and resets automatically. To stop punching, press the Raise Button and the punch returns.

### ■ HS07, HS11 Are Lighter in Weight

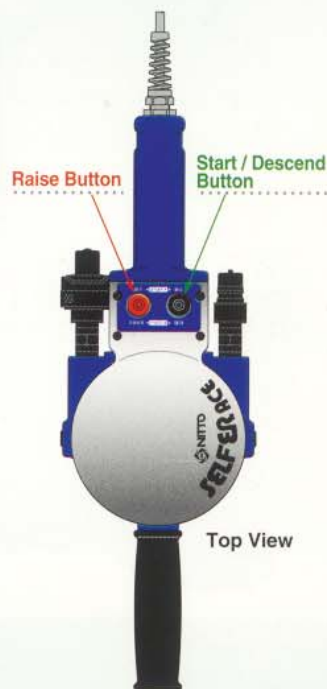
HS07 and HS11 are lighter by 10% and 15% respectively when compared with the previous models.

### ■ Inching Function (Manual Operation)

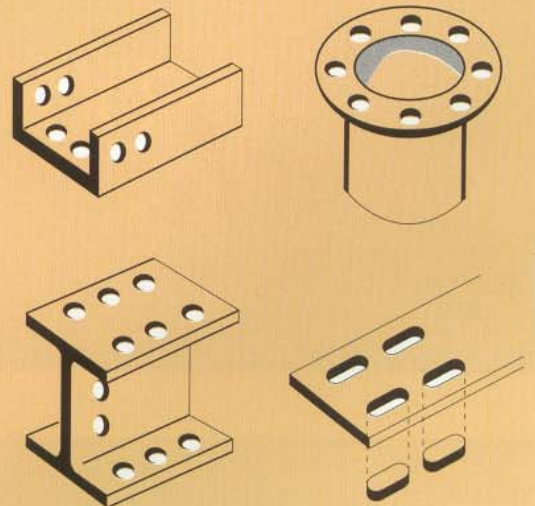
While pressing the Start / Descend Button the punch will descend.

While pressing the Raise Button the punch returns.

**If both buttons are released** the punch will remain stationary at the desired height.



## Application



## Optional Accessories

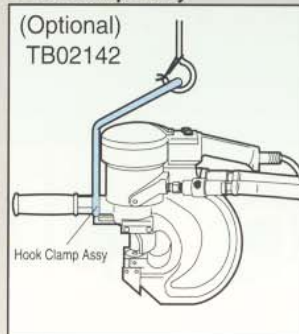
### Foot Switch Relay Box Ass'y

(Optional)  
TB02141



### Hook Clamp Ass'y

(Optional)  
TB02142



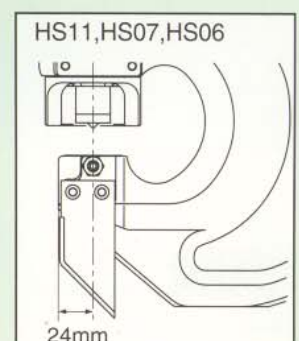
## Dimension to Punch Center



TA99036-0 Lock Nut Ass'y  
for 8mm to 24mm Punch



TA99037-0 Lock Nut Ass'y  
for 25mm Punch



# Models

HS11-1624/HS07-1624/HS06-1322

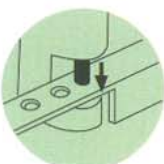
PUNCHING



Double-Acting Hydraulic Pump

**PUMP**

Model **HPD-05**



**PUNCHING**



Allowable Max. Pressure  
**464 kN (47tf)**  
 Max. Punching Thickness : 16mm (SS400)  
 Max. Punching Diameter : 24mm

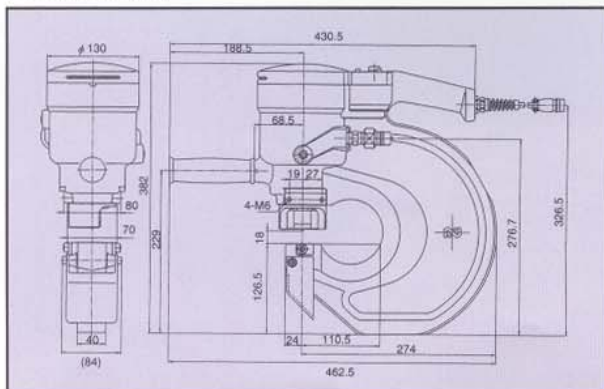
MODEL  
**HS11-1624**

Specifications

- Max. Throat Depth mm..... 110
- Punching Capacity
  - Max. Punching Thickness mm
    - SS400..... 16
    - SUS304..... 6
  - Max. Punching Diameter mm
    - SS400..... 24
    - SUS304..... 24
- Hole Making Time..... HS07 Punching Time 11.8 sec.  
 Returning Time 5.7 sec.
- Allowable Max. Pressure..... 68.65 MPa (700 kgf/cm<sup>2</sup>)
- Max. Output..... 464 kN (47 tf)
- Ram Stroke mm..... 25
- Mass (Weight) kg..... 30

Standard Accessories

- Hose Kit Ass'y
- Hose Cord Ass'y
- Spanner
- Spanner 12
- Sub Handle Ass'y
- Chip Guard Ass'y
- Hex. Wrench 4
- Tool Box.
- DPunch/Die 22 mounted on machine



Allowable Max. Pressure  
**464 kN (47tf)**  
 Max. Punching Thickness : 16mm (SS400)  
 Max. Punching Diameter : 24mm

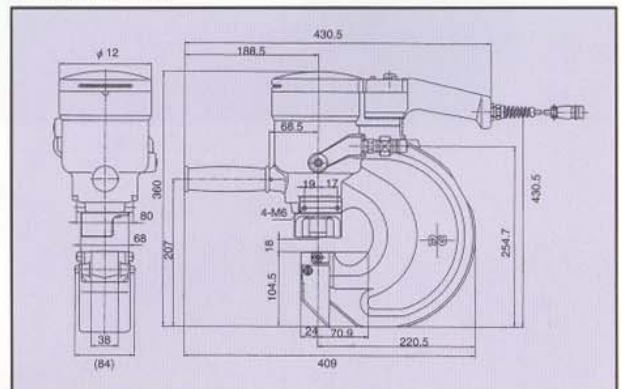
MODEL  
**HS07-1624**

Specifications

- Max. Throat Depth mm..... 70
- Punching Capacity
  - Max. Punching Thickness mm
    - SS400..... 16
    - SUS304..... 6
  - Max. Punching Diameter mm
    - SS400..... 24
    - SUS304..... 24
- Hole Making Time..... HS07 Punching Time 11.8 sec.  
 Returning Time 5.7 sec.
- Allowable Max. Pressure..... 68.65 MPa (700 kgf/cm<sup>2</sup>)
- Max. Output..... 464 kN (47 tf)
- Ram Stroke mm..... 25
- Mass (Weight) kg..... 25.5

Standard Accessories

- Hose Kit Ass'y
- Hose Cord Ass'y
- Spanner
- Spanner 12
- Sub Handle Ass'y
- Chip Guard Ass'y
- Hex. Wrench 4
- Tool Box.
- DPunch/Die 22 mounted on machine



## Double-Acting Hydraulic Pump

**PUMP**  
Model **HPD-05**



**HS06-1322**



Allowable Max. Pressure

**367 kN (37tf)**

Max. Punching Thickness : 13mm (SS400)  
Max. Punching Diameter : 22mm

MODEL

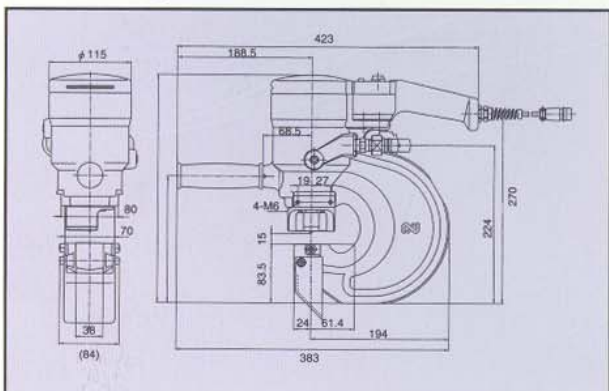
# HS06-1322

## Specifications

- Max. Throat Depth mm..... 60
- Punching Capacity
  - Max. Punching Thickness mm
    - SS400..... 13
    - SUS304..... 6
  - Max. Punching Diameter mm
    - SS400..... 22
    - SUS304..... 22
- Hole Making Time..... HS06 Punching Time 7.9 sec.  
Returning Time 3.4 sec.
- Allowable Max. Pressure..... 68.65 MPa (700 kgf/cm<sup>2</sup>)
- Max. Output..... 367 kN (37 tf)
- Ram Stroke mm..... 21
- Mass (Weight) kg..... 20.5

## Standard Accessories

- Hose Kit Ass'y
- Hose Cord Ass'y
- Spanner
- Spanner 12
- Sub Handle Ass'y
- Chip Guard Ass'y
- Hex. Wrench 4
- Tool Box.
- DPunch/Die 22 mounted on machine



Punching Time : Calculated value on max. capacity at 60Hz.  
The following formula shows the restriction between hole diameter and punching thickness. Do not use beyond this restriction.

SS400 : Max.Punching Thickness  $\leq 0.8 \times$  Hole Dia.  
SUS304 : Max.Punching Thickness  $\leq 0.5 \times$  Hole Dia.

Do not use beyond max. punching thickness.

## Double-Acting Hydraulic Pump



MODEL

# HPD-05

## Specifications

- Allowable Max. Pressures... 68.65 MPa (700 kgf/cm<sup>2</sup>)
- Output
  - At No Load..... 50 Hz 1.20  
60 Hz 1.44
  - At 68.65 MPa..... 50 Hz 0.55  
60 Hz 0.66
- Motor..... 0.4kW 4P
- Power Source..... AC115V/230V Single Phase
- Reservoir Capacity..... 4.0 lit.
- Discharge Port..... Rc 3/8
- Electro-Magnetic Valve..... 4 way 3 position valve
- Mass (Weight)..... 32.5 kg