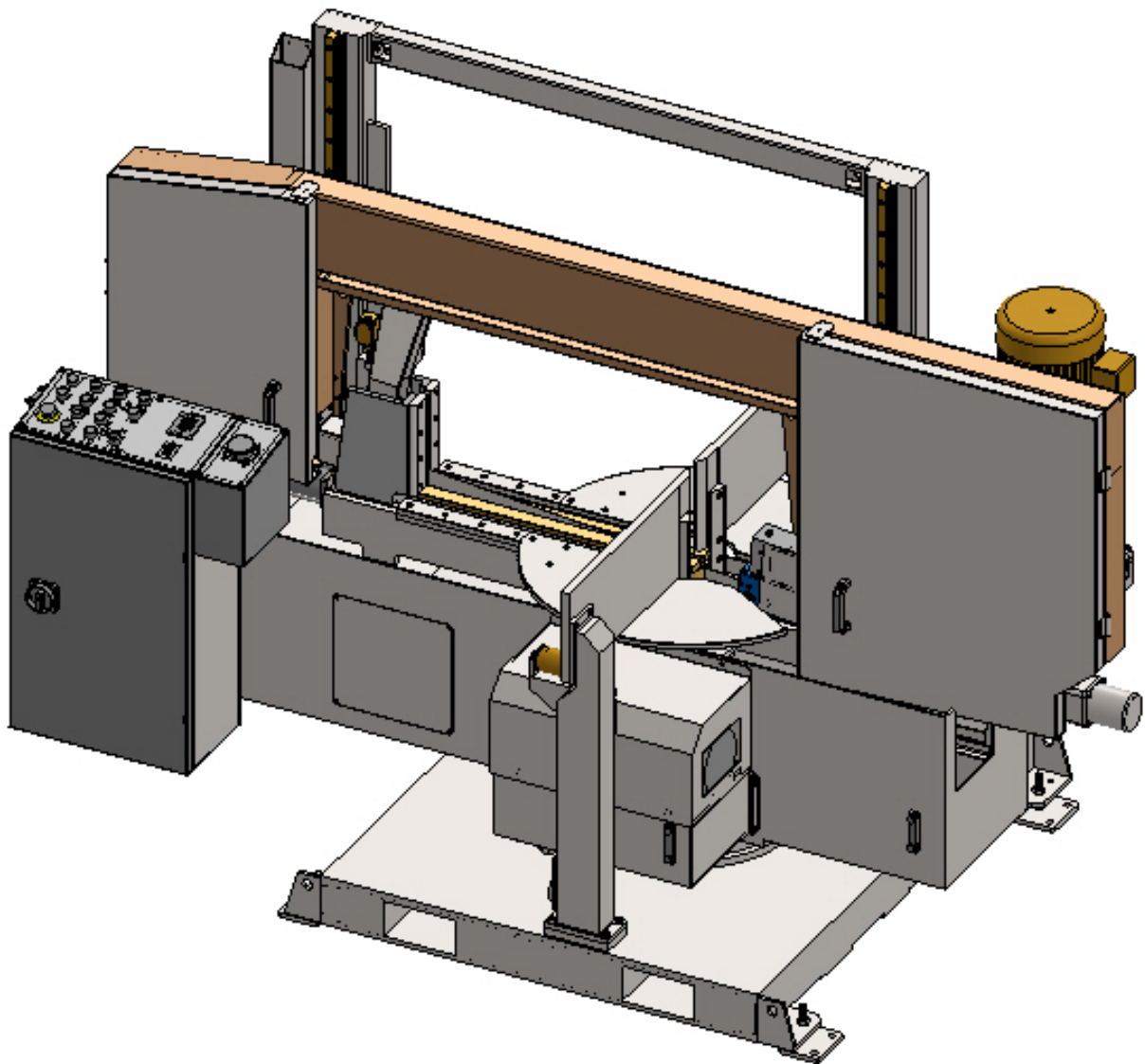


PARKANSON BANDSAWS

Semi-Auto Column Type Double Mitre Cutting Bandsaw

Model: PK650DMS



Features,

1. For cutting any angle from 60° forward to 60° backward.
2. NC/Manual mitre positioning with digital readout.
3. The rotary center is at the intersection point of the saw blade and the fixed vise jaw.
4. Inclination of the saw blade (5°) to reduce the initial blade impact when cutting beams.
5. Columns with linear guideway.
6. Automatic positioning of guide arm.
7. Return of saw bow to starting cutting position or stop to bottom when cut of material.

Standard equipments

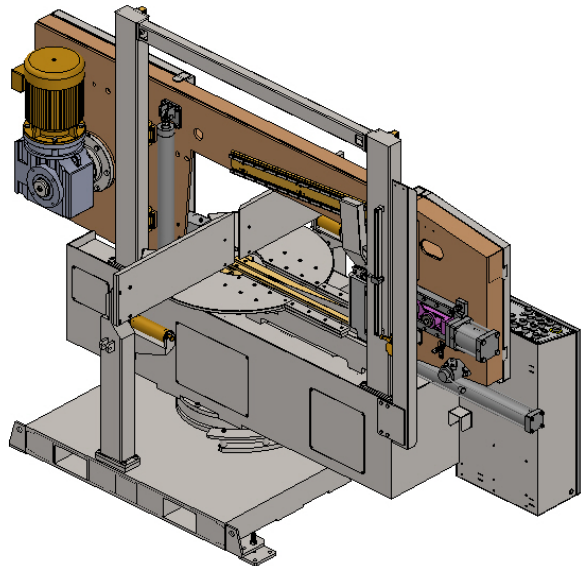
1. Variable blade speed drive
2. Hydraulic blade tension.
3. Laser liner
4. Vice pressure regulator

Optional equipments

1. Mist lubrication
2. Top clamp
3. Full high vise jaws
4. Roller table
5. Powered roller table
6. NC Material Feed System

Specifications

| Model | | PK650DMS |
|-------------------------|-------------|-----------------|
| Cutting Capacity (mm) | ● | 460 |
| | ■ | 450x650 (HxW) |
| | ■ 45° L/R | 440 x 420 |
| | ■ 60° Left | 340 x 270 |
| | ■ 60° Right | 440 x 270 |
| Motors | Saw Blade | 3.75KW |
| | Hydraulic | 0.75 KW |
| | Coolant | 0.1 KW |
| Blade Size | | 5400 x 41 x 1.3 |
| Blade Speed (M/min) | | 20-90 |
| Vise Clamping Width | | 10-670mm |
| Working height (mm) | | 730 |
| Dimensions (mm) | Length | 1350 |
| | Width | 2700 |
| | Height | 1950 |
| Net Weight (Approx.) Kg | | 3000 |



PARKANSON BANDSAWS

Capital Equipment Machinery Sales
1/10 Renewable Chase
Bibra Lake WA 6163
Ph: (08) 9410 9500 Fax: (08) 9410 9555
www.capitalequipment.biz